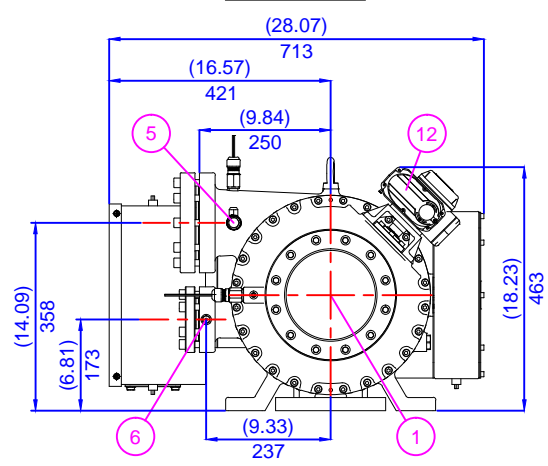


No.	Name	Specification	No.	Name	Specification
1	Suction flange	6" 20K	12	Actuator(igv1)	220V,50/60Hz
2	Discharge flange	4" 20K	13	Sight glass(Refrigerant)	
3	ECO flange	1-1/2" 20K	14	Sight glass(motor direction)	
4	Suction pressure ,Ps	1/4"FL	15	Motor power connector	5/8"-11 UNC
5	Discharge pressure,Pd	1/4"FL	16	Cable box outlet	φ88
6	ECO pressure,Pe	1/4"FL	17	Control & sensor port	D-SUB 25Pin
7	Motor pressure,Pmo	1/4"CV	18	AMBD power connector	4P 150VDC
8	Bearing cooling outlet	1/4"FL	19	Cooling outlet	1-1/4" steel/copper
9	Suction temperature,Ts	MCS-T100	20	Modbus port	RJ45
10	Discharge temperature,Td	PT-100	21	Drain port	1/4"PS
11	Cooling inlet	3/8"FL			

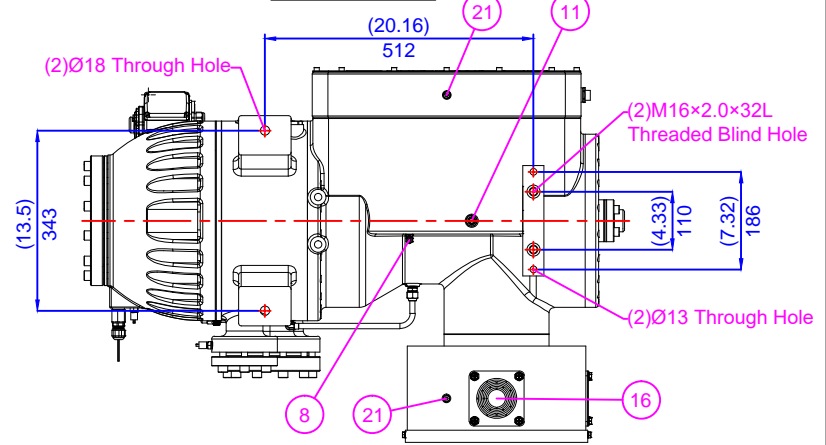


UNIT
Imperial: (in)
SI: mm

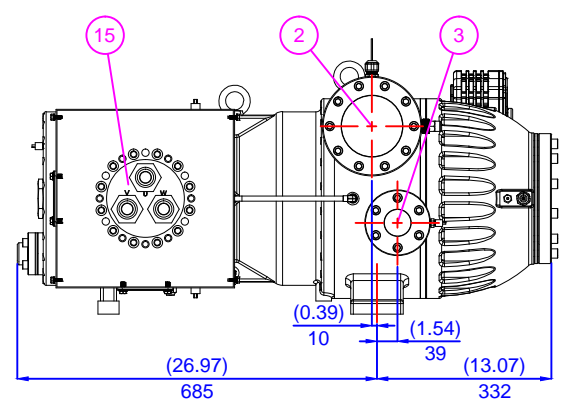
Front View



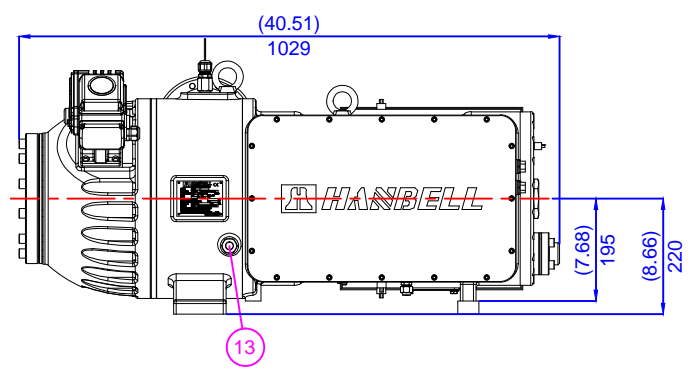
Bottom View



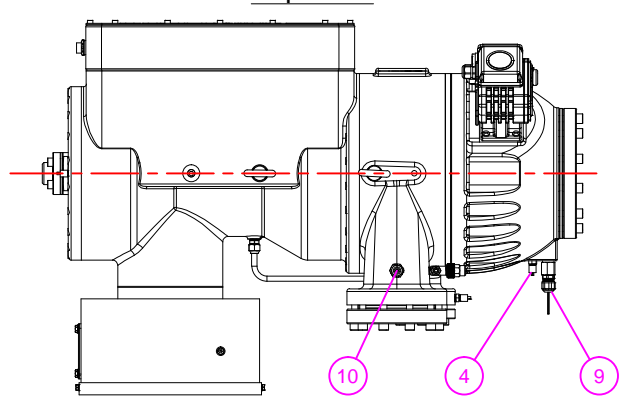
Left View



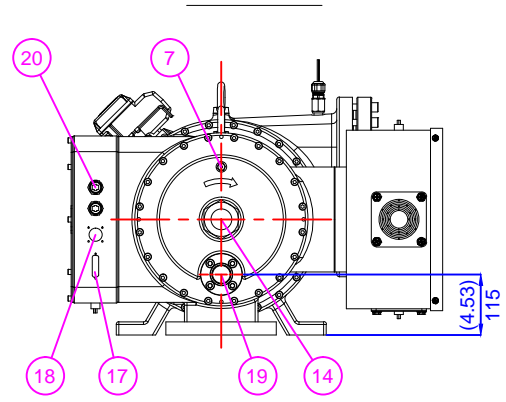
Right View



Top View



Rear View



Micro Control Systems, Inc. 5877 Enterprise Parkway Fort Myers, Florida 33905 Tel. (239) 694-0089 Fax (239) 694-0031 E-mail: compressors@mcscontrols.com	Model	RTM-030 DT	Dimensional Outline Drawing & Component Description for Stepless or Modulating-Type Capacity Control Application	
	Name	Compressor outline		
			Ver.	2.0
			Hanbell Model	RTM-030 DT
			Date	05/12/2025
			Drawn By	ILM